

FORWARD CURVED DWDI FANS



Forward Curved DWDI Fans from New York Blower have been specifically designed to provide the best value to OEMs for their air handler applications. From the powder coated, rugged housing and robust square side support frames, to the selection of heavy-duty pillow block bearings, New York Blower's FC DWDI fans will provide years of trouble free operation. All fans have been air and sound tested in our accredited laboratory to assure accurate performance and low sound levels. To minimize inventory costs for our OEM customers, all units are in stock in our warehouse for next day delivery.

DESIGN FEATURES

- Capacities to 32,000 CFM.
- Static pressures to 3.25" WG.
- Ten sizes ranging from 9" to 30" wheel diameter.
- Temperatures to 120°F.
- Choice of four discharge positions. . . TH, BH, UB, and DB.
- Square structural supports aid in installation while minimizing vibration and sound.
- Housings coated with an epoxy polyester powder in finish color beige.
- Wheels constructed of galvanized steel.
- Dual-drive shafting furnished for installation flexibility.
- Pillow block bearings.
- All sizes available for shipment from stock.



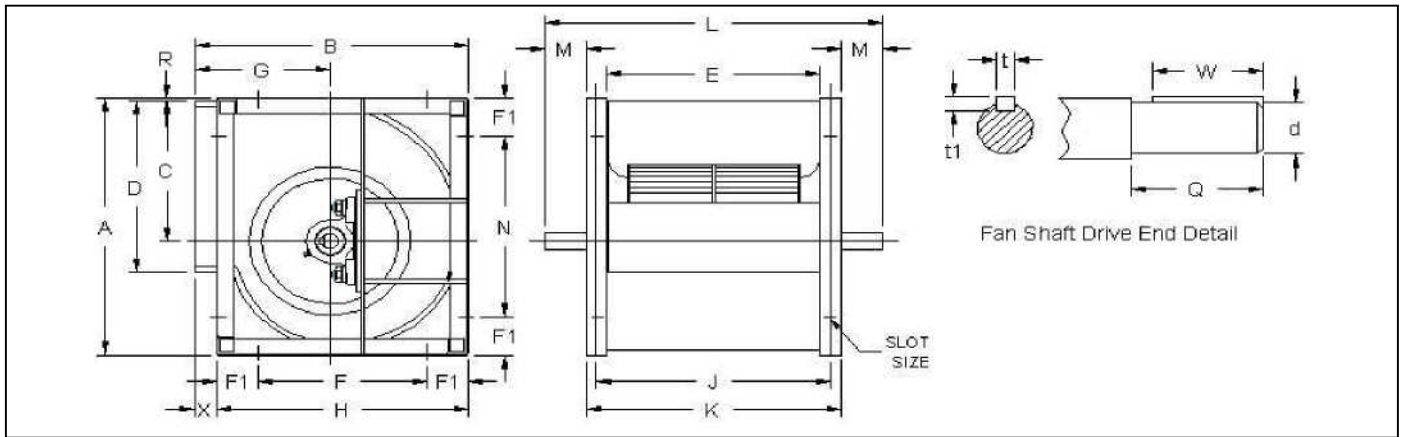
THE NEW YORK BLOWER COMPANY
7660 Quincy Street
Willowbrook, IL 60527-5530

Visit us on the Web: <http://www.nyb.com>
Phone: (800) 208-7918 Email: nyb@nyb.com

DTA09-09H		Forward-Curved DWDI Fan							Wheel Diameter: 9.5 in. Fan Outlet Area: 0.901 ft ² Wheel Maximum Safe Speed: 1700 RPM														
CFM	OV	0.125" SP		0.25" SP		0.375" SP		0.5" SP		0.75" SP		1.0" SP		1.25" SP		1.5" SP		1.75" SP		2.0" SP			
		RPM	BHP	RPM	BHP	RPM	BHP	RPM	BHP	RPM	BHP	RPM	BHP	RPM	BHP	RPM	BHP	RPM	BHP	RPM	BHP	RPM	BHP
1200	1332	607	0.15	692	0.19	770	0.22	851	0.26	1018	0.34	1166	0.44	1303	0.54								
1400	1554	693	0.24	761	0.27	825	0.30	892	0.35	1032	0.43	1172	0.53	1304	0.65	1426	0.76						
1600	1776	783	0.35	821	0.37	891	0.42	947	0.46	1067	0.55	1187	0.65	1313	0.77	1432	0.90	1541	1.03	1644	1.16		
1800	1998	874	0.50	901	0.51	958	0.56	1014	0.61	1116	0.70	1220	0.81	1329	0.92	1442	1.05	1547	1.19	1653	1.34		
2000	2220	967	0.68	989	0.69	1021	0.72	1082	0.78	1173	0.88	1268	1.00	1364	1.12	1461	1.25	1565	1.39	1664	1.54		
2200	2442	1059	0.90	1079	0.91	1102	0.94	1141	0.98	1240	1.11	1321	1.22	1410	1.35	1495	1.48	1584	1.62	1674	1.77		
2400	2664	1152	1.17	1170	1.18	1189	1.20	1213	1.23	1308	1.37	1384	1.49	1460	1.62	1541	1.76	1618	1.90	1698	2.05		
2600	2886	1245	1.49	1262	1.49	1279	1.51	1298	1.54	1369	1.66	1452	1.80	1519	1.93	1592	2.08	1665	2.23				
2800	3108	1338	1.86	1354	1.86	1369	1.87	1386	1.90	1433	1.99	1520	2.16	1586	2.30	1650	2.44						
DTA10-10H		Forward-Curved DWDI Fan							Wheel Diameter: 10.625 in. Fan Outlet Area: 1.102 ft ² Wheel Maximum Safe Speed: 1600 RPM														
CFM	OV	0.25" SP		0.5" SP		0.75" SP		1.0" SP		1.25" SP		1.5" SP		1.75" SP		2.0" SP		2.25" SP		2.5" SP			
		RPM	BHP	RPM	BHP	RPM	BHP	RPM	BHP	RPM	BHP	RPM	BHP	RPM	BHP	RPM	BHP	RPM	BHP	RPM	BHP		
1400	1270	561	0.18	719	0.26	864	0.34	992	0.42	1107	0.51	1209	0.60	1304	0.69								
1700	1543	617	0.28	750	0.37	879	0.47	999	0.57	1115	0.67	1217	0.77	1310	0.87	1400	0.98	1481	1.09				
2000	1815	692	0.42	797	0.51	909	0.62	1017	0.74	1123	0.86	1220	0.98	1316	1.10	1407	1.22	1486	1.34	1562	1.45		
2300	2087	776	0.63	849	0.70	953	0.82	1050	0.96	1145	1.09	1238	1.23	1321	1.36	1408	1.49	1496	1.64	1572	1.78		
2600	2359	866	0.89	918	0.95	1000	1.08	1090	1.21	1178	1.36	1262	1.51	1344	1.66	1421	1.81	1499	1.97	1575	2.13		
2900	2632	958	1.23	998	1.28	1059	1.39	1138	1.53	1219	1.69	1295	1.85	1374	2.02	1448	2.19	1523	2.36	1591	2.53		
3200	2904	1051	1.64	1083	1.69	1130	1.78	1192	1.92	1268	2.09	1338	2.25	1409	2.44	1478	2.62	1547	2.80				
3500	3176	1145	2.14	1172	2.18	1208	2.26	1258	2.39	1316	2.55	1386	2.73	1454	2.92	1517	3.11	1578	3.30				
3800	3448	1238	2.72	1263	2.77	1291	2.84	1331	2.95	1379	3.10	1437	3.29	1501	3.48	1564	3.68						
DTA12-12H		Forward-Curved DWDI Fan							Wheel Diameter: 12.625 in. Fan Outlet Area: 1.47 ft ² Wheel Maximum Safe Speed: 1400 RPM														
CFM	OV	0.5" SP		0.75" SP		1.0" SP		1.25" SP		1.5" SP		1.75" SP		2.0" SP		2.25" SP		2.5" SP		2.75" SP			
		RPM	BHP	RPM	BHP	RPM	BHP	RPM	BHP	RPM	BHP	RPM	BHP	RPM	BHP	RPM	BHP	RPM	BHP	RPM	BHP		
3100	2109	686	0.86	774	1.03	863	1.22	946	1.40	1028	1.58	1103	1.76										
3400	2313	721	1.07	798	1.24	880	1.43	961	1.64	1036	1.84	1109	2.03	1179	2.23	1250	2.43						
3700	2517	757	1.32	830	1.49	903	1.69	980	1.92	1051	2.13	1119	2.34	1188	2.56	1252	2.77	1319	2.99	1382	3.22		
4000	2721	794	1.59	863	1.79	929	1.98	998	2.21	1068	2.45	1136	2.69	1200	2.92	1265	3.16	1322	3.37	1385	3.62		
4300	2925	832	1.91	899	2.13	960	2.33	1022	2.55	1087	2.80	1151	3.06	1216	3.33	1277	3.58	1335	3.82	1394	4.07		
4600	3129	873	2.27	935	2.50	994	2.73	1050	2.94	1111	3.19	1173	3.47	1231	3.74	1292	4.03	1347	4.29				
4900	3333	914	2.68	972	2.92	1030	3.17	1084	3.40	1136	3.63	1193	3.91	1253	4.21	1311	4.52	1364	4.80				
5200	3537	956	3.14	1011	3.39	1066	3.66	1119	3.92	1168	4.15	1218	4.41	1273	4.71	1326	5.01	1383	5.35				
5500	3741	1000	3.66	1051	3.92	1103	4.20	1155	4.48	1204	4.74	1251	5.00	1298	5.28	1350	5.59						
DTA15-15H		Forward-Curved DWDI Fan							Wheel Diameter: 15.0 in. Fan Outlet Area: 2.0 ft ² Wheel Maximum Safe Speed: 1200 RPM														
CFM	OV	0.5" SP		0.75" SP		1.0" SP		1.25" SP		1.5" SP		1.75" SP		2.0" SP		2.25" SP		2.5" SP		2.75" SP			
		RPM	BHP	RPM	BHP	RPM	BHP	RPM	BHP	RPM	BHP	RPM	BHP	RPM	BHP	RPM	BHP	RPM	BHP	RPM	BHP		
3800	1900	542	0.87	621	1.05	696	1.24	774	1.45	843	1.65	909	1.87	968	2.07	1026	2.29						
4300	2150	571	1.14	644	1.34	714	1.55	782	1.78	849	2.01	911	2.23	974	2.48	1029	2.71	1081	2.93	1133	3.18		
4800	2400	605	1.48	671	1.70	735	1.92	797	2.16	858	2.41	920	2.67	977	2.92	1034	3.18	1089	3.45	1140	3.71		
5300	2650	643	1.89	703	2.13	761	2.37	819	2.62	874	2.88	929	3.15	984	3.43	1039	3.72	1093	4.01	1143	4.29		
5800	2900	683	2.38	736	2.63	791	2.90	844	3.16	897	3.43	949	3.72	997	4.01	1048	4.32	1101	4.65	1147	4.94		
6300	3150	724	2.96	773	3.22	823	3.51	873	3.80	922	4.08	969	4.37	1019	4.69	1064	5.00	1109	5.33	1156	5.66		
6800	3400	766	3.62	813	3.92	857	4.20	904	4.52	950	4.83	996	5.14	1041	5.45	1084	5.78	1128	6.12	1171	6.48		
7300	3650	809	4.37	853	4.71	895	5.01	938	5.34	981	5.68	1024	6.00	1067	6.34	1109	6.68	1148	7.01	1190	7.38		
7800	3900	852	5.23	895	5.60	934	5.92	972	6.25	1013	6.61	1055	6.98	1095	7.33	1136	7.69	1173	8.03				
DTA18-18H		Forward-Curved DWDI Fan							Wheel Diameter: 18.03125 in. Fan Outlet Area: 2.859 ft ² Wheel Maximum Safe Speed: 1000 RPM														
CFM	OV	0.5" SP		0.75" SP		1.0" SP		1.25" SP		1.5" SP		1.75" SP		2.0" SP		2.25" SP		2.5" SP		2.75" SP			
		RPM	BHP	RPM	BHP	RPM	BHP	RPM	BHP	RPM	BHP	RPM	BHP	RPM	BHP	RPM	BHP	RPM	BHP	RPM	BHP		
5000	1749	453	0.97	531	1.24	598	1.50	658	1.75	715	2.02	771	2.31	820	2.57	870	2.87	918	3.18				
5750	2011	476	1.31	546	1.59	613	1.90	672	2.19	725	2.48	778	2.79	828	3.11	872	3.40	920	3.75	964	4.08		
6500	2274	504	1.72	566	2.02	628	2.36	686	2.70	740	3.04	788	3.36	836	3.70	882	4.05	925	4.40	969	4.77		
7250	2536	533	2.22	590	2.56	646	2.91	703	3.29	755	3.67	805	4.05	849	4.41	891	4.78	934	5.16	974	5.53		
8000	2798	567	2.83	618	3.20	670	3.57	720	3.96	769	4.36	818	4.79	864	5.22	907	5.63	947	6.03	986	6.44		
8750	3061	603	3.56	648	3.95	696	4.35	741	4.75	788	5.19	835	5.64	878	6.09	921	6.55	961	7.00				
9500	3323	640	4.41	681	4.82	724	5.25	768	5.70	810	6.14	852	6.60	896	7.10	937	7.59	978	8.10				
10250	3585	679	5.41	716	5.84	755	6.29	795	6.76	834	7.23	873	7.70	913	8.20	951	8.71	990	9.25				
11000	3847	717	6.55	753	7.01	787	7.46	824	7.97	863	8.49	899	8.98	936	9.50	973	10.0						

DTA20-20H				Forward-Curved DWDI Fan								Wheel Diameter: 20.0 in Fan Outlet Area: 3.759 ft ² Wheel Maximum Safe Speed: 850 RPM									
CFM	OV	0.25" SP		0.5" SP		0.75" SP		1.0" SP		1.25" SP		1.5" SP		1.75" SP		2.0" SP		2.25" SP		2.5" SP	
		RPM	BHP	RPM	BHP	RPM	BHP	RPM	BHP	RPM	BHP	RPM	BHP	RPM	BHP	RPM	BHP	RPM	BHP	RPM	BHP
5400	1437	319	0.72	399	1.01	461	1.28	520	1.56	578	1.88	631	2.19	683	2.99	732	3.38				
6200	1649	344	1.00	416	1.32	479	1.63	533	1.95	583	2.27	635	2.62	686	3.51	733	3.93	775	4.33		
7000	1862	369	1.34	434	1.69	497	2.06	549	2.41	598	2.77	643	3.14	698	4.15	737	4.56	779	5.01	817	5.44
7800	2075	396	1.76	457	2.15	514	2.55	567	2.96	615	3.36	657	3.75	713	4.89	750	5.33	788	5.80	824	6.25
8600	2288	424	2.26	480	2.69	534	3.13	585	3.58	632	4.03	675	4.47	731	5.76	767	6.22	800	6.68	836	7.20
9400	2501	453	2.86	506	3.33	555	3.81	602	4.29	648	4.78	690	5.26	748	6.71	785	7.23	819	7.75		
10200	2713	482	3.57	532	4.08	578	4.58	623	5.11	666	5.63	709	6.17	764	7.73	801	8.31	837	8.90		
11000	2926	513	4.40	559	4.93	604	5.49	645	6.05	686	6.61	726	7.17	782	8.92	818	9.53				
11800	3139	545	5.34	586	5.91	629	6.50	668	7.08	708	7.71	745	8.31								
DTA22-22H				Forward-Curved DWDI Fan								Wheel Diameter: 22.0 in Fan Outlet Area: 4.441 ft ² Wheel Maximum Safe Speed: 850 RPM									
CFM	OV	0.5" SP		1.0" SP		1.5" SP		1.75" SP		2.0" SP		2.25" SP		2.5" SP		2.75" SP		3.0" SP		3.25" SP	
		RPM	BHP	RPM	BHP	RPM	BHP	RPM	BHP	RPM	BHP	RPM	BHP	RPM	BHP	RPM	BHP	RPM	BHP	RPM	BHP
8400	1891	384	1.95	491	2.82	577	3.66	616	4.08	657	4.57			735	6.25						
9200	2072	399	2.38	503	3.33	588	4.27	624	4.70	662	5.19	695	5.65	737	6.95	768	7.47	805	8.14		
10000	2252	414	2.86	514	3.90	599	4.95	636	5.45	669	5.91	703	6.41	743	7.79	775	8.36	806	8.94	836	9.53
10800	2432	431	3.40	525	4.52	610	5.67	647	6.23	681	6.77	714	7.29	743	7.79	775	8.36	806	8.94		
11600	2612	448	4.02	537	5.23	619	6.44	657	7.06	692	7.67	726	8.27	754	8.80	784	9.38	814	9.97	842	10.6
12400	2792	468	4.74	552	6.04	630	7.31	669	7.98	702	8.62	734	9.26	767	9.92	796	10.5	824	11.1		
13200	2972	488	5.55	567	6.93	642	8.27	679	8.97	714	9.68	747	10.4	776	11.0	807	11.7	834	12.4		
14000	3152	509	6.47	583	7.90	655	9.33	691	10.1	725	10.8	757	11.5	787	12.3	817	13.0	846	13.8		
14800	3333	531	7.49	599	8.95	669	10.5	702	11.2	735	12.0	766	12.8	798	13.6	826	14.3				
DTA25-25H				Forward-Curved DWDI Fan								Wheel Diameter: 25.0 in Fan Outlet Area: 5.815 ft ² Wheel Maximum Safe Speed: 750 RPM									
CFM	OV	0.5" SP		1.0" SP		1.5" SP		1.75" SP		2.0" SP		2.25" SP		2.5" SP		2.75" SP		3.0" SP		3.25" SP	
		RPM	BHP	RPM	BHP	RPM	BHP	RPM	BHP	RPM	BHP	RPM	BHP	RPM	BHP	RPM	BHP	RPM	BHP	RPM	BHP
12000	2064	337	2.73	430	3.93	507	5.14	541	5.73	574	6.36	606	7.01	634	7.63	665	8.35				
13000	2236	349	3.24	439	4.53	515	5.89	547	6.50	581	7.18	610	7.82	640	8.51	669	9.24	695	9.93		
14000	2408	361	3.81	448	5.22	523	6.67	555	7.36	587	8.06	617	8.77	645	9.46	673	10.2	699	10.9	724	11.6
15000	2580	374	4.46	457	5.99	530	7.48	562	8.26	595	9.05	624	9.78	650	10.5	679	11.3	704	12.0	731	12.8
16000	2752	389	5.22	467	6.84	537	8.39	571	9.24	602	10.1	630	10.9	658	11.6	685	12.5	712	13.3	734	14.0
17000	2923	404	6.06	478	7.77	547	9.42	579	10.3	609	11.2	638	12.0	667	12.9	693	13.8	719	14.6	743	15.5
18000	3095	419	6.99	488	8.74	557	10.6	586	11.4	616	12.3	645	13.3	673	14.2	698	15.1	726	16.1	749	16.9
19000	3267	435	8.03	500	9.83	566	11.8	595	12.7	625	13.6	652	14.5	682	15.6	708	16.6	732	17.5		
20000	3439	451	9.17	513	11.0	577	13.1	605	14.1	635	15.0	661	16.0	689	17.1	715	18.1	741	19.2		
DTA28-28H				Forward-Curved DWDI Fan								Wheel Diameter: 27.625 in Fan Outlet Area: 6.9355 ft ² Wheel Maximum Safe Speed: 700 RPM									
CFM	OV	0.5" SP		1.0" SP		1.5" SP		1.75" SP		2.0" SP		2.25" SP		2.5" SP		2.75" SP		3.0" SP		3.25" SP	
		RPM	BHP	RPM	BHP	RPM	BHP	RPM	BHP	RPM	BHP	RPM	BHP	RPM	BHP	RPM	BHP	RPM	BHP	RPM	BHP
16400	2365	334	4.36	411	5.96	474	7.57	503	8.33	533	9.16	560	9.94	590	10.9	617	11.8				
17600	2538	346	5.12	420	6.83	483	8.59	511	9.42	538	10.2	565	11.1	591	12.0	619	12.9	644	13.9	671	15.0
18800	2711	359	5.97	431	7.81	491	9.65	520	10.6	546	11.5	572	12.4	597	13.3	621	14.2	647	15.2	673	16.3
20000	2884	373	6.95	443	8.92	502	10.9	528	11.8	555	12.8	579	13.8	605	14.8	628	15.7	650	16.6	675	17.7
21200	3057	387	8.03	454	10.1	513	12.2	538	13.2	564	14.3	589	15.3	612	16.3	634	17.3	658	18.4	679	19.3
22400	3230	402	9.23	464	11.4	522	13.6	549	14.7	574	15.8	597	16.8	621	18.0	642	19.0	666	20.2	685	21.2
23600	3403	416	10.6	477	12.8	533	15.1	559	16.2	584	17.4	608	18.6	629	19.7	652	21.0	673	22.0	694	23.2
24800	3576	432	12.0	488	14.3	544	16.8	570	18.0	595	19.2	618	20.4	639	21.6	662	22.9	681	24.1		
26000	3749	448	13.6	501	16.0	556	18.7	580	19.9	605	21.1	628	22.4	648	23.6	670	24.9	692	26.3		
DTA30-30H				Forward-Curved DWDI Fan								Wheel Diameter: 30.25 in Fan Outlet Area: 8.153 ft ² Wheel Maximum Safe Speed: 650 RPM									
CFM	OV	0.5" SP		1.0" SP		1.5" SP		1.75" SP		2.0" SP		2.25" SP		2.5" SP		2.75" SP		3.0" SP		3.25" SP	
		RPM	BHP	RPM	BHP	RPM	BHP	RPM	BHP	RPM	BHP	RPM	BHP	RPM	BHP	RPM	BHP	RPM	BHP	RPM	BHP
21000	2576	325	6.37	394	8.45	457	10.6	484	11.6	510	12.7	533	13.7	559	14.9	583	16.0				
22200	2723	337	7.29	401	9.45	463	11.8	490	12.8	514	13.9	539	15.0	562	16.1	587	17.4	609	18.5		
23400	2870	348	8.31	408	10.5	470	13.0	497	14.1	523	15.3	545	16.4	569	17.6	591	18.7	612	19.9	635	21.3
24600	3017	360	9.44	416	11.7	477	14.3	504	15.5	530	16.8	552	17.9	575	19.2	597	20.3	617	21.5	639	22.9
25800	3164	373	10.7	426	13.0	483	15.6	512	17.0	536	18.3	560	19.6	582	20.8	602	22.0	624	23.4	643	24.6
27000	3312	385	12.0	435	14.4	489	17.1	517	18.6	543	19.9	567	21.3	589	22.7	609	23.9	631	25.3	649	26.5
28200	3459	398	13.5	446	15.9	497	18.7	523	20.1	549	21.7	574	23.2	597	24.6	616	25.9	637	27.3		
29400	3606	410	15.1	457	17.5	505	20.4	530	21.9	555	23.4	580	25.0	603	26.6	625	28.1	645	29.5		
30600	3753	423	16.8	468	19.4	513	22.2	538	23.8	563	25.4	586	26.9	610	28.7	631	30.2				

FAN DIMENSIONS AND SPECIFICATIONS



Fans are designed in metric; inches are approximate.

Model	A		B		C		D		E		F		F1	
	mm	in.	mm	in.	mm	in.	mm	in.	mm	in.	mm	in.	mm	in.
DTA09-09H	405	15 15/16	395	15 9/16	221	8 11/16	270	10 5/8	310	12 3/16	230	9 1/16	60	2 3/8
DTA10-10H	450	17 11/16	435	17 1/8	247	9 3/4	302	11 7/8	339	13 3/8	270	10 5/8	60	2 3/8
DTA12-12H	530	20 7/8	516	20 5/16	293	11 9/16	353	13 7/8	387	15 1/4	340	13 3/8	60	2 3/8
DTA15-15H	635	25	606	23 7/8	340	13 3/8	413	16 1/4	447	17 5/8	390	15 3/8	80	3 1/8
DTA18-18H	755	29 3/4	718	28 1/4	418	16 7/16	490	19 5/16	542	21 5/16	500	19 11/16	80	3 1/8
DTA20-20H	870	34 1/4	844	33 1/4	485	19 1/8	567	22 5/16	616	24 1/4	610	24	80	3 1/8
DTA22-22H	935	36 13/16	884	34 13/16	534	21	612	24 1/8	674	26 9/16	650	25 9/16	80	3 1/8
DTA25-25H	1120	44 1/8	1025	40 3/8	634	24 15/16	697	27 7/16	775	30 1/2	790	31 1/8	80	3 1/8
DTA28-28H	1235	48 5/8	1133	44 5/8	704	27 11/16	758	29 13/16	850	33 7/16	885	34 13/16	80	3 1/8
DTA30-30H	1335	52 9/16	1219	48	760	29 15/16	825	32 1/2	918	36 1/8	965	38	80	3 1/8

Model	G		H		J		K		L		M		N	
	mm	in.	mm	in.	mm	in.	mm	in.	mm	in.	mm	in.	mm	in.
DTA09-09H	197	7 3/4	350	13 3/4	350	13 3/4	380	14 15/16	512	20 3/16	66	2 5/8	285	11 1/4
DTA10-10H	220	8 11/16	390	15 3/8	379	14 15/16	409	16 1/8	541	21 5/16	66	2 5/8	330	13
DTA12-12H	250	9 13/16	460	18 1/8	427	16 13/16	457	18	609	24	76	3	410	16 1/8
DTA15-15H	291	11 7/16	550	21 9/16	487	19 3/16	527	20 3/4	669	26 5/16	71	2 13/16	475	18 11/16
DTA18-18H	341	13 7/16	660	26	582	22 15/16	622	24 1/2	764	30 1/16	71	2 13/16	595	23 7/16
DTA20-20H	412	16 1/4	770	30 5/16	666	26 1/4	716	28 3/16	919	36 3/16	101	4	710	27 15/16
DTA22-22H	420	16 9/16	810	31 7/8	724	28 1/2	774	30 1/2	974	38 3/8	100	3 15/16	775	30 1/2
DTA25-25H	466	18 3/8	950	37 3/8	825	32 1/2	875	34 7/16	1075	42 5/16	100	3 15/16	960	37 13/16
DTA28-28H	515	20 1/4	1045	41 1/8	910	35 13/16	970	38 3/16	1236	48 11/16	133	5 1/4	1075	42 5/16
DTA30-30H	549	21 5/8	1125	44 5/16	978	38 1/2	1038	40 7/8	1301	51 1/4	131	5 3/16	1175	46 1/4

Model	Q		R		W		X		d	t	t1	SLOT SIZE	
	mm	in.	mm	in.	mm	in.	mm	in.	mm	mm	mm	mm	in.
DTA09-09H	30	1 3/16	5	3/16	25	1	45	1 3/4	24	8	7	10 X 20	3/8 X 13/16
DTA10-10H	30	1 3/16	4	3/16	25	1	45	1 3/4	24	8	7	10 X 20	3/8 X 13/16
DTA12-12H	45	1 3/4	4	3/16	40	1 9/16	56	2 3/16	24	8	7	10 X 20	3/8 X 13/16
DTA15-15H	45	1 3/4	4	3/16	40	1 9/16	56	2 3/16	24	8	7	10 X 20	3/8 X 13/16
DTA18-18H	45	1 3/4	2	1/16	40	1 9/16	58	2 5/16	28	8	7	10 X 20	3/8 X 13/16
DTA20-20H	65	2 9/16	5	3/16	60	2 3/8	74	2 15/16	36	10	8	13 X 25	1/2 X 1
DTA22-22H	65	2 9/16	--	--	60	2 3/8	74	2 15/16	36	10	8	13 X 25	1/2 X 1
DTA25-25H	65	2 9/16	--	--	60	2 3/8	75	2 15/16	36	10	8	13 X 25	1/2 X 1
DTA28-28H	85	3 3/8	--	--	80	3 1/8	88	3 1/2	48	14	9	13 X 30	1/2 X 1 3/16
DTA30-30H	85	3 3/8	--	--	80	3 1/8	94	3 11/16	48	14	9	13 X 30	1/2 X 1 3/16

SPECIFICATIONS

Model	Maximum Safe Speed (RPM)	Wheel Diameter		Wheel Weight		Wheel WR2		Shaft Diameter		Bare Fan Weight		Bearings*
		mm	in.	kg.	lbs.	kg-m ²	lb-ft ²	Brgs.	Drive End	kg.	lbs.	
								mm	mm			
DTA09-09H	1700	242	9 1/2	3.1	6.8	0.02	0.5	25	24	15	34	HCP205-25mm
DTA10-10H	1600	270	10 5/8	4.3	9.5	0.02	0.6	25	24	18	39	HCP205-25mm
DTA12-12H	1400	321	12 5/8	6.8	15.0	0.04	0.9	25	24	23	50	HCP205-25mm
DTA15-15H	1200	381	15	9.3	20.5	0.05	1.2	25	24	35	78	HCP205-25mm
DTA18-18H	1000	458	18 1/16	16.0	35.3	0.08	2.1	30	28	51	112	HCP206-30mm
DTA20-20H	850	508	20	24.5	54.0	0.11	2.5	40	36	93	204	HCP208-40mm
DTA22-22H	850	568	22 3/8	30.0	66.2	0.16	3.8	40	36	122	270	HCP208-40mm
DTA25-25H	750	635	25	39.5	87.1	0.20	4.7	40	36	138	305	HCP208-40mm
DTA28-28H	700	702	27 5/8	45.0	99.2	0.41	9.7	50	48	213	470	GRP210-50mm
DTA30-30H	650	768	30 1/4	62.5	137.8	0.49	11.8	50	48	238	524	GRP210-50mm

Tolerance: ±3 mm; ±1/8"

*Peer Bearing Co. Model HCP200 Series Eccentric Locking Collar Bearings and Model GRP200 Series GRIP-IT 360 Degree Locking Bearings.