

INLET FILTER ASSEMBLIES

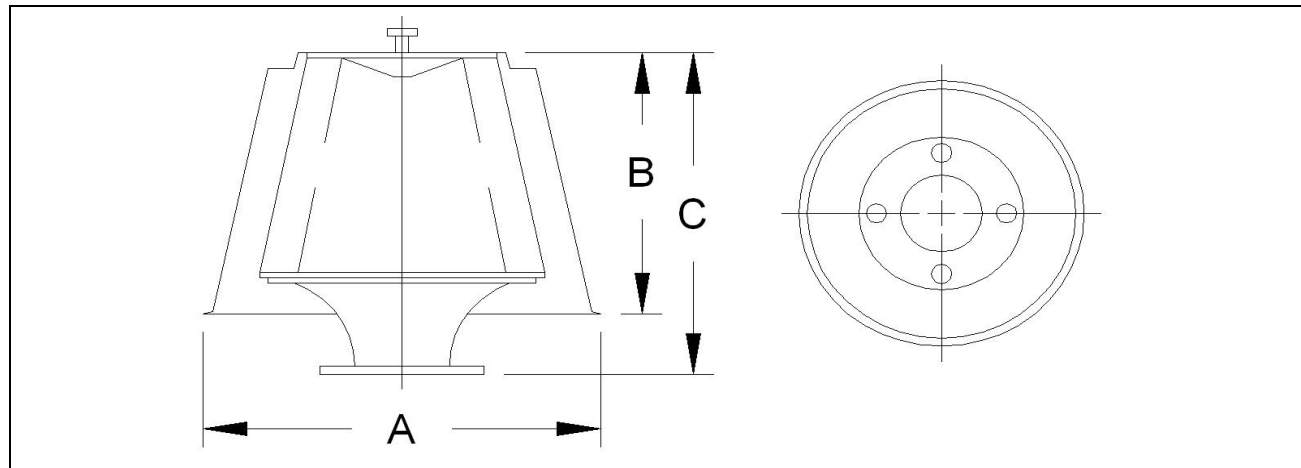
FOR COMPACT GI FANS

New York Blower's redesigned, conical-shaped inlet filter assemblies for Compact GI Fans are designed for greater air flow and efficiency than the typical inlet filter.

DESIGN FEATURES

- The tapered design and venturi-shaped housing allow for a smooth transition of air into the fan inlet.
- Choice of three media types: Ultra synthetic (99.97% efficient at 1 micron), Hi-Flow synthetic (98% efficient at 10 microns), and Wire Mesh.
- Filters are furnished with hoods to protect against environmental conditions and reduce noise.
- Powder coating on all metal components is standard.

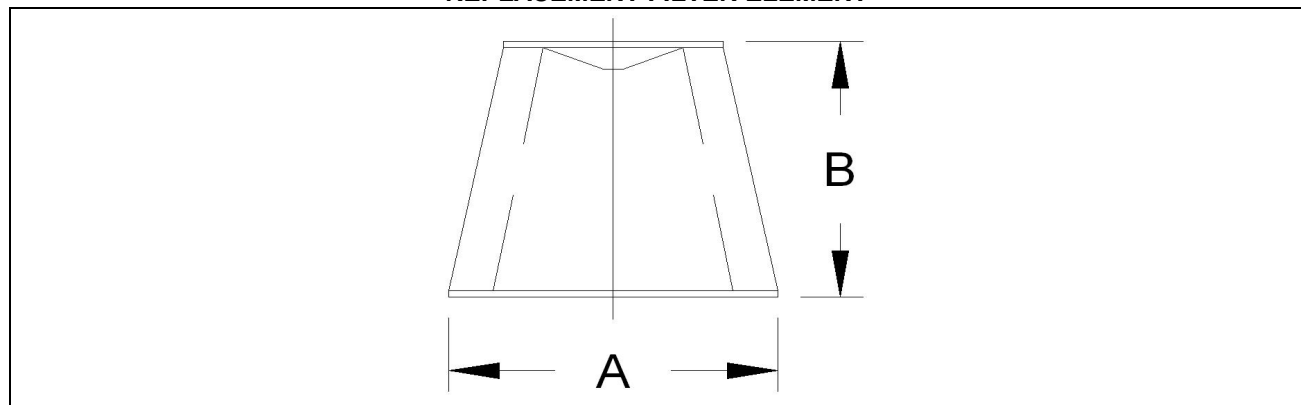
COMPLETE FILTER ASSEMBLY



CGI Fan Size	Model Number	Rated Flow at 3" W.C. (CFM)	Dimensions (in.)			Flange†				
			A	B	C	I.D.	O.D.	Bolt Circle	Holes	
									No.	Size
85	NY04GRH	550	13	6	9 3/4	4 7/8	7	6	4	5/16
95, 105, 106	NY04GRR	1100	16 1/2	8	11 7/8	5 7/8	8	7		
116, 125	NY04GRI	2000	25 1/4	11 1/4	15 1/2	6 7/8	9	8		
126, 136, 146	NY04GRJ	2900	25 1/4	15 1/2	18 1/2	7 7/8	10	9		

† Flange thickness is 10 gauge.

REPLACEMENT FILTER ELEMENT



CGI Fan Size	Element Size	Element Number*	Dimensions (in.)		Weights (lbs.)					
			A	B	Elements			Filter Assemblies		
					Ultra	Hi-Flow	Wire Mesh	Ultra	Hi-Flow	Wire Mesh
85	2	E0400x2	10	5 1/4	5	5	8	19	19	22
95, 105, 106	3	E0400x3	12	7 7/8	6	6	9	24	24	27
116, 125	4	E0400x4	16 5/16	10 3/4	10	11	13	45	46	48
126, 136, 146	5	E0400x5	17 5/16	14	11	13	15	59	61	63

* Sixth digit in element number denotes element type (1 - Ultra Synthetic; 2 - Hi-Flow Polyester; 3 - Wire Mesh).



THE NEW YORK BLOWER COMPANY
7660 Quincy Street
Willowbrook, IL 60527-5530

Visit us on the Web: <http://www.nyb.com>
Phone: (800) 208-7918 Email: nyb@nyb.com