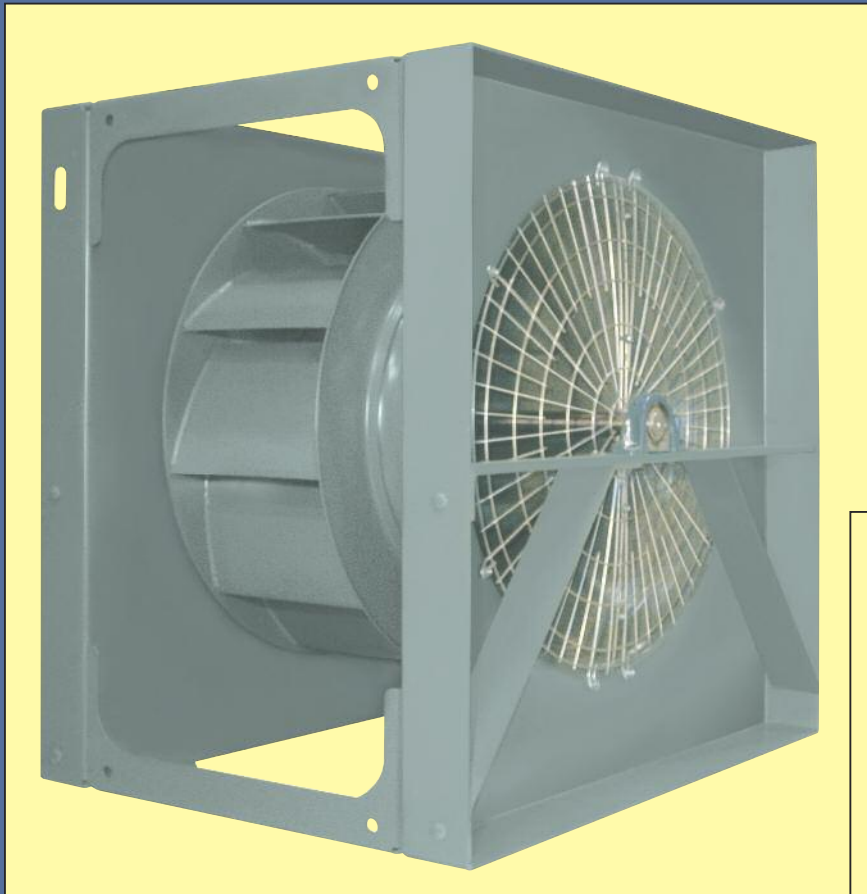


PLENUM FANS

- Capacities to 180,000 CFM
- Four wheel choices
- Static pressures to 13"WG
- Belt and Direct-Drive



THE NEW YORK BLOWER COMPANY
7660 Quincy Street
Willowbrook, IL 60527-5530

Visit us on the Web: <http://www.nyb.com>
Phone: (800) 208-7918 Email: nyb@nyb.com

PLENUM FANS

New York Blower's Plenum Fans are designed specifically for application in pressurized plenums found in industrial and commercial air-handling systems. The unoused, compact design combined with the choice of four airfoil wheels provides the utmost in quiet and efficient operation.

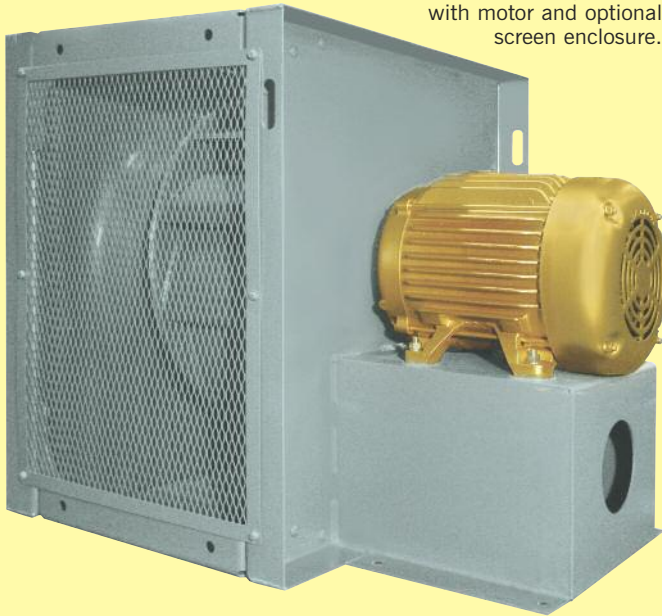
DESIGN FEATURES

- Four airfoil wheel choices:
AcF and ECF-9 wheels, Sizes 12"-73".
AcFq and ECF-11 wheels, Sizes 18"-60".
- Capacities to 180,000 CFM.
- Pressures to 13"WG.
- Aerodynamic, spun inlet cone.
- Choice of six horizontal arrangements:
Arrangement 1 —Sizes 12" to 15"
Arrangement 3 —Sizes 16" to 73"
Arrangement 3R/3L —Sizes 16" to 40"
Arrangement 3T —Sizes 16" to 49"
Arrangement 4 —Sizes 12" to 60"
- Arrangement 3V for vertical mounting in Sizes 16" to 73".
- Designed and tested to minimize natural frequencies in the operating range.
- Temperatures to 120°F.

CONSTRUCTION FEATURES

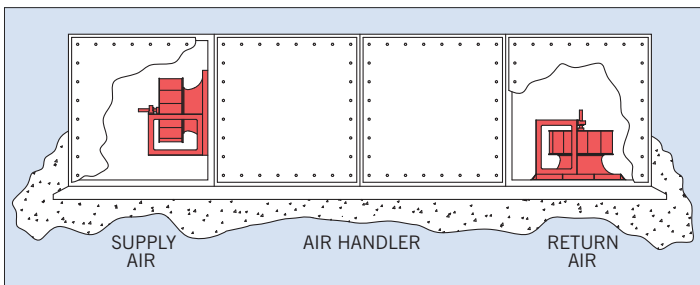
- Formed structures for rigidity and improved fit.
- Bearings selected for average L10 life of 100,000 hours at normal operating speeds.
- Lifting eyes are standard.
- Wheels are dynamically balanced and fans are trim balanced at the specified operating speed.

Size 24, Arrangement 4 with motor and optional screen enclosure.



Size 36, Arrangement 3R with optional motor, inlet guard, and screen enclosure.

APPLICATION ADVANTAGES



Unoused Plenum Fans were developed in response to the continuing push for greater system value and application flexibility in air-handler systems. For systems utilizing pressurized plenums, these fans provide the airflows and pressures of conventional housed fan designs but in compact, more economical configurations. The result is reduced size and weight of air-handler cabinetry with maximum application flexibility. System air is supplied or returned to the air handler from virtually any direction with a minimum of ductwork. Plenum Fans offer system manufacturers the utmost in choice of sizes and configurations.

CHOICE OF FOUR WHEEL DESIGNS

After years of air performance and acoustical research testing, New York Blower's airfoil technology has been taken to the next level. By offering four different airfoil wheel designs, each with unique performance and sound characteristics, system designers are able to seamlessly select the fan that best matches design requirements for optimal efficiency and low sound levels.



Typical AcF and ECF-9 Wheel



Typical AcFq and ECF-11 Wheel



The New York Blower Company certifies that the Plenum Fans with ECF-9 and ECF-11 wheels shown herein are licensed to bear the AMCA Seal. The ratings are based on tests and procedures performed in accordance with AMCA Publications 211 and 311 and comply with the requirements of the AMCA Certified Ratings Program. AMCA-licensed air and sound performance can be found in New York Blower's Electronic Catalog. For the latest AMCA approved version and date, go to www.amca.org, click on the "Certified Product Search" button, and look for the New York Blower Company.

AIRFOIL BENEFITS

STABLE PERFORMANCE

Completely stable pressure curve from wide-open to closed-off...ideal for variable air volume systems.

NON-OVERLOADING

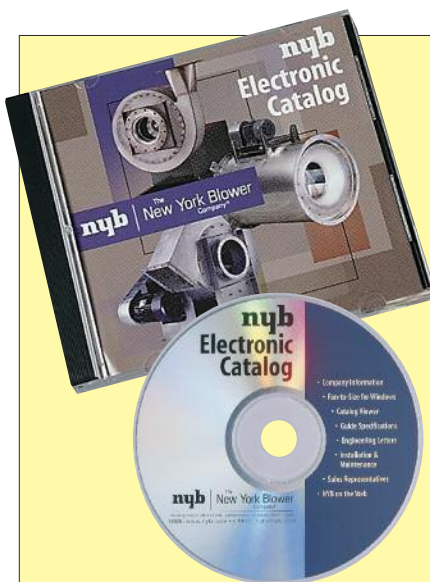
Horsepower reaches a peak and then decreases as flow increases...allows calculation of the maximum brake horsepower required for motor selection.

SUPERIOR EFFICIENCY

Four selections to choose from with unique efficiency characteristics to better match system design requirements.

LOWER SOUND LEVELS

Each design has been "acoustically tuned" to reduce sound power levels and provide flatter overall sound profiles while minimizing blade-pass frequency.



ELECTRONIC CATALOG

A complete New York Blower Catalog on one CD. No more manual calculations and bulky product catalogs. A critical tool for all system-designers and engineers who select and specify air-moving equipment.

SELECTION BENEFITS

- Fast, accurate fan selection.
- Automatic altitude, temperature, and density corrections.
- Sound levels by octave band.
- Fan-performance curves.
- Multiple model and size choices.
- Metric or English units.

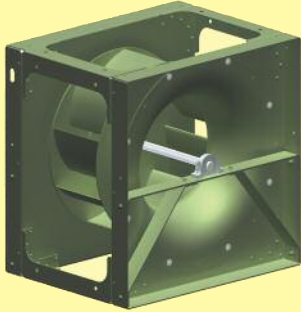
CATALOG CONTENTS

- Fan-selection program.
- Complete product catalog in PDF including drawings, dimensions, and design specifications.
- Sample guide specifications.
- New York Blower Engineering Letters.
- Installation and Maintenance Manuals.
- Listing of New York Blower representatives.

To obtain your copy of New York Blower's Electronic Catalog contact your local New York Blower representative or go to www.nyb.com and click on *Selection Software*.

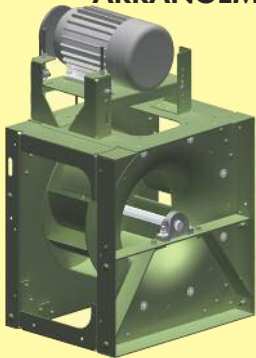
ARRANGEMENT FLEXIBILITY

ARRANGEMENT 1/3



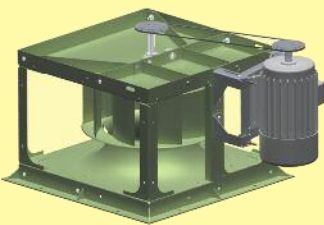
For the widest range of performance. Fans can be provided with unitary and isolation bases for common mounting of fan, motor, and drive. Arrangement 1 available in Sizes 12" to 15" only. Arrangement 3 available in Sizes 16" to 73".

ARRANGEMENT 3L/R/T



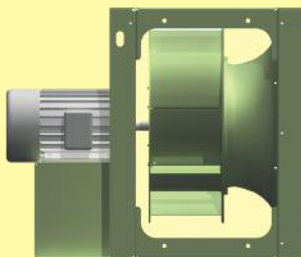
Integral motor mount
Compact, belt-drive design. Fan with integral motor mount available packaged with optional motor and drives. Arrangement 3L/3R available in Sizes 16" to 40". Arrangement 3T available in Sizes 16" to 49".

ARRANGEMENT 3V



Vertical mount
Ideal for the applications involving vertical airflow. Design eliminates transition space requirements and minimizes structural support. Standard with integral motor mount. Available with optional motor and drives. Available in Sizes 16" to 73".

ARRANGEMENT 4



Direct-drive designs for very compact, light-weight applications. Wheel widths can be varied to meet specific CFM requirements at direct-drive motor speeds. Ideal for variable speed control. Lockouts are required to prevent operation beyond fan maximum safe speeds. Available in Sizes 12" to 60".

ACCESSORIES AND MODIFICATIONS

1. AIR TRACKER 6000

Accurate, cost effective system for measuring fan air flow. Integral cone-mounted piezometer ring installed and piped at the factory. Optional micro-processor based controller and LED display available.

2. INTERNAL INLET-VANE DAMPER

Compact damper/cone assembly provides smooth control for systems that require efficient dampening of airflow. Available on Sizes 16" and larger.

3. INLET GUARD

Heavy-gauge wire inlet guard covers complete inlet area.

4. INLET COLLAR

Rolled-steel collar provides surface to attach flexible connector from ductwork or bulkhead.

5. EXTENDED LUBE LINES

Extended bearing lubrication lines with external fittings located for ease of service.

6. UNITARY BASE

Structural-steel base provides common support for fan, motor, and drive components...also available with spring-type or rubber-in-shear isolators...flexible inlet-duct connection recommended for use with isolation bases.

7. BELT GUARD

Guards constructed with solid sheet-metal backs and sides and precision laser-cut metal covers for maintenance viewing. Guards include tachometer opening with cap plug.

8. SCREEN ENCLOSURE

Expanded sheet metal welded to steel frame encloses the entire wheel assembly. Panels are removable.

9. MOTORS AND DRIVES

A wide array of motor and drive components are available factory-mounted.

SAFETY EQUIPMENT

Safety accessories are available from **nyb**, but selection of the appropriate devices is the responsibility of the system-designer who is familiar with the particular installation, or application, and can provide for guards for all exposed moving parts as well as protection from access to high-velocity airstreams. Neither **nyb** nor its sales representatives is in a position to make such a determination. Users and/or installers should read "Recommended Safety Practices for Air Moving Devices" as published by the Air Movement and Control Association, Arlington Heights, Illinois.

MATERIAL SPECIFICATIONS

U.S. standard sheet gauge to 7 gauge.
Dimensions in inches, weights in pounds. WR² in lb.-ft².

SHAFTS AND BEARINGS														MOTOR LIMITS										
Size	Arrangements 1, 3, 3T, 3R, 3L									Arrangement 3V					Arrangement 3T		Arr. 3R,3L		Arr. 3V		Arrangement 4			
	Shaft Diameter			Bearings						Shaft Class 1,2	Bearings				Max. motor frame		Max. motor frame C-NW	Max. motor frame C-NW	Max. motor frame C-NW	Max. motor frame				
	Class 1	Class 2	Class 3	Class 1		Class 2		Class 3			Class 1	Class 2	Class 1,2	Class 3	Class 2	Class 3				Class 2	Class 3			
				Inlet	Drive	Inlet	Drive	Inlet	Drive	Inlet							Drive							
12*	1	1 3/16	—	A	A	B	B	—	—	—	—	—	—	—	—	—	—	—	—	—	—	—	56 - 184T	—
13*	1	1 3/16	—	A	A	B	B	—	—	—	—	—	—	—	—	—	—	—	—	—	—	—	143T - 184T	—
15*	1	1 3/16	—	A	A	B	B	—	—	—	—	—	—	—	—	—	—	—	—	—	—	—	143T - 215T	—
16	1	1	1 3/16	A	A	A	A	A	E	1 3/16	E	E	F	F	213T	215T	18 1/4	213T	17 1/4	213T	15 1/2	182T - 256T	182T - 256T	
18	1	1 3/16	1 7/16	A	A	A	E	A	F	1 3/16	E	E*	F	F	215T	256T	19 3/8	215T	18 3/8	215T	17 5/8	182T - 256T	182T - 286TS	
20	1 3/16	1 3/16	1 7/16	A	A	A	F	A	F	1 3/16	E	E*	F	F	254T	284T	20 3/4	254T	19 3/4	254T	19	143T - 256T	143T - 286TS	
22	1 7/16	1 7/16	1 7/16	A	A	A	F	A	F	1 7/16	E	E*	F	F	256T	286T	22 1/8	256T	21 1/8	256T	20 3/8	143T - 286TS	143T - 286TS	
24	1 7/16	1 7/16	1 1 1/16	A	A	A	F	A	F	1 7/16	E	E*	F	F	284T	324T	24 5/8	284T	23 5/8	284T	23 3/8	182T - 256T	182T - 326T	
27	1 7/16	1 7/16	1 1 1/16	A	B	A	F	B	F	1 7/16	E	E*	F	F	286T	326T	26 1/4	286T	25 1/4	286T	25 1/2	182T - 256T	182T - 326T	
30	1 7/16	1 7/16	1 1 5/16	A	B	A	F	D	F	1 7/16	F	F	F	F	326T	326T	28 3/4	326T	28 3/4	326T	28	213T - 286T	213T - 365T	
33	1 1 1/16	1 1 1/16	1 1 5/16	A	E	A	F	D	F	1 1 1/16	F	F	F	F	326T	—	31 1/4	326T	31 1/4	326T	30 1/2	254T - 326T	254T - 365T	
36	1 1 1/16	1 1 1/16	2 3/16	A	E	A	F	D	F	1 1 1/16	F	F	F	F*	326T	—	35 5/8	326T	35 5/8	326T	32 7/8	284T - 405T	284T - 405T	
40	1 5/16	1 5/16	2 3/16	A	D	A	F	D	F	1 5/16	F	F	F	F*	326T	—	38 1/4	326T	38 1/4	326T	35 1/2	324T - 405T	324T - 405T	
44	2 3/16	2 3/16	2 7/16	A	D	A	F	D	F	2 3/16	F	F	F	F*	326T	—	41 1/4	—	—	405T	39 1/4	324T - 405T	324T - 405T	
49	2 1 1/16	2 1 1/16	2 1 1/16	A	D	A	F	D	F	2 1 1/16	F	F	F	F*	326T	—	45 3/8	—	—	405T	43 3/8	324T - 405T	404T - 445T	
54	2 1 1/16	2 1 1/16	2 1 5/16	A	D	A	F	E	F	2 1 1/16	F	F	F	F*	—	—	—	—	—	405T	46 3/4	324T - 445T	404T - 449T	
60	2 1 1/16	2 1 1/16	2 1 5/16	A	D	A	F	E	F	2 1 1/16	F	F	F	F*	—	—	—	—	—	405T	51 1/4	—	404T - 449T	
66	2 1 1/16	2 1 1/16	3 7/16	A	F	A	F	F	F	2 1 1/16	F	F*	H	F*	—	—	—	—	—	445T	55 1/4	—	—	
73	3 7/16†	3 7/16†	3 7/16	A	F	A	F	F	F	3 7/16†	G	F*	H	F*	—	—	—	—	—	445T	63 3/8	—	—	

* Arrangement 1 only. A-Link-Belt P3-U200, B-Sealmaster SPM, D-Sealmaster MPD, E-Link-Belt P-300, F-Link-Belt P-B22400, G-Link-Belt P-B6800, H-Link-Belt P-B6900. The right is reserved to substitute bearings of equal ratings. *Denotes expansion bearing. † Turned down to 2 1 1/16 at inlet bearing.

BARE FAN WEIGHTS										ECF WEIGHTS AND WR ²													
Size	Bare Fan Weight [Less Wheel]					ECF-9 Wheel								ECF-11 Wheel									
						Weight				WR ²				Weight				WR ²					
	Arr. 1, 3		Arr. 3T		Arr. 3R, 3L	Arr. 3V	Arr. 4	Arr. 1, 3, 3T, 3R, 3L, 3V		Arr. 4		Arr. 1, 3, 3T, 3R, 3L, 3V		Arr. 4		Arr. 1, 3, 3T, 3R, 3L, 3V		Arr. 4		Arr. 1, 3, 3T, 3R, 3L, 3V		Arr. 4	
	Class 1, 2	Class 3	Class 1, 2	Class 3	Class 1, 2	Class 1, 2	Class 2, 3	Class 1, 2	Class 3	Class 2	Class 3	Class 1, 2	Class 3	Class 2	Class 3	Class 1, 2	Class 3	Class 2	Class 3	Class 1, 2	Class 3	Class 2	Class 3
12	89	—	—	—	—	75	8.1	—	9.6	—	1.12	—	1.18	—	—	—	—	—	—	—	—	—	—
13	95	—	—	—	—	83	10	—	11.5	—	1.79	—	1.84	—	—	—	—	—	—	—	—	—	—
15	106	—	—	—	—	102	12	—	15	—	2.78	—	2.85	—	—	—	—	—	—	—	—	—	—
16	142	149	187	199	176	215	141	28	30	27	29	7.11	7.97	7.11	7.96	—	—	—	—	—	—	—	—
18	166	172	216	222	200	236	155	32	44	31	34	10.4	12.2	10.3	11.6	35	47	34	37	11.4	13.5	11.4	12.9
20	179	185	232	237	218	257	170	37	49	37	46	15.0	17.0	14.9	17.4	40	53	40	50	16.5	18.9	16.5	19.5
22	207	208	270	262	251	289	192	54	57	44	54	23.1	24.8	22.5	25.4	58	61	48	58	25.5	27.6	24.9	28.3
24	240	250	310	302	288	331	223	70	79	73	77	38.2	41.8	38.9	41.8	74	85	78	83	41.7	46.0	42.4	46.0
27	269	283	336	335	319	363	252	82	91	84	89	56.0	59.3	55.1	59.3	87	97	89	95	61.2	65.4	60.3	65.4
30	315	341	386	394	367	415	323	98	121	105	120	85.5	104	83.0	104	105	131	112	130	93.4	116	90.1	116
33	363	379	435	—	417	469	377	115	140	120	145	117	149	118	150	124	152	128	157	128	165	129	166
36	582	615	662	—	638	697	586	178	256	190	233	233	262	235	257	190	271	202	248	255	288	257	282
40	663	685	745	—	721	784	660	188	310	86	116	308	412	139	167	203	328	93	123	340	450	155	182
44	833	861	905	—	—	1127	923	258	356	108	139	504	604	215	254	277	378	117	147	552	660	237	275
49	988	1001	1061	—	—	1309	1329	347	556	144	204	842	990	370	418	371	583	154	214	918	1073	399	448
54	1144	1188	—	—	—	1488	1644	416	698	202	248	1252	1781	603	645	446	741	214	260	1366	1945	647	690
60	1318	1362	—	—	—	1689	1877	538	851	—	301	1930	2790	—	1001	575	905	—	316	2100	3037	—	1072
66	1523	1673	—	—	—	1952	—	834	1057	—	—	3696	4198	—	—	—	—	—	—	—	—	—	—
73	1865	1946	—	—	—	2334	—	1056	1229	—	—	5774	6082	—	—	—	—	—	—	—	—	—	—

Sizes 12, 13, and 15 Arr. 1 & 4 and Sizes 40-60 Arr. 4 wheels are aluminum as standard.

ACF WEIGHTS AND WR ²																
Size	AcF							AcFQ								
	Weight				WR ²			Weight				WR ²				
	Arr. 1,3		Arr. 4		Arr. 1,3		Arr. 4	Arr. 1,3		Arr. 4		Arr. 1,3		Arr. 4		
	Class 1,2	Class 3	Class 2	Class 3	Class 1,2	Class 3	Class 2	Class 3	Class 1,2	Class 3	Class 2	Class 3	Class 1,2	Class 3	Class 2	Class 3
12	7	—	7	—	1.1	—	1.1	—	—	—	—	—	—	—	—	—
13	10	—	10	—	1.8	—	1.8	—	—	—	—	—	—	—	—	—
15	12	—	12	—	2.7	—	2.7	—	—	—	—	—	—	—	—	—
16	27	29	27	29	7.0	8.0	7.0	8.0	—	—	—	—	—	—	—	—
18	31	44	31	43	10	12	10	12	35	49	35	48	12	13	12	13
20	37	49	37	47	15	17	15	18	39	54	39	50	16	19	16	19
22	44	58	44	55	22	26	22	26	48	64	48	59	25	29	25	29
24	71	81	75	79	40	44	40	43	79	90	79	84	42	49	44	47
27	91	100	86	91	66	68	58	62	100	111	91	97	68	76	63	68
30	100	129	101	138	85	115	89	114	118	143	107	147	103	129	93	125
33	117	143	123	149	122	155	123	157	135	159	131	161	143	174	134	173
36	175	253	183	200	232	259	234	264	193	281	201	221	240	290	266	301
40	185	306	81	116	306	409	112	169	205	340	94	124	353	458	160	186
44	256	352	103	138	510	598	183	258	279	391	116	148	571	670	234	284
49	342	548	145	190	833	976	312	433	376	608	162	211	945	1093	397	485
54	410	689	204	244	1244	1765	643	706	452	765	225	271	1413	1977	689	791
60	512	838	—	294	1822	2764	—	982	583	930	—	327	2041	3096	—	1100
66	824	1040	—	—	3674	4160	—	—	904	1154	—	—	4184	4659	—	—
73	1058	1224	—	—	5833	6130	—	—	—	—	—	—	—	—	—	—

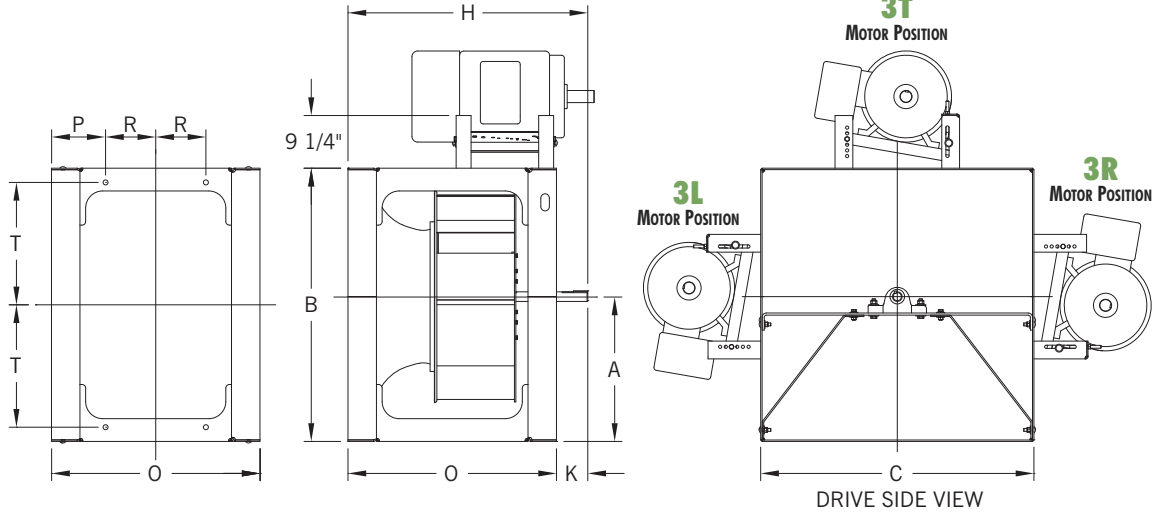
Plenum Fan Ecf Wheel Max Safe Speeds @ 70°			
Size	Ecf-9 and Ecf-11		
	Class 1	Class 2	Class 3
12	3625	4730	—
13	3205	4180	—
15	2810	3670	—
16	2505	3270	3960
18	2225	2900	3660
20	2050	2685	3390
22	1900	2480	3130
24	1725	2255	2840
27	1485	1940	2440
30	1335	1770	2195
33	1220	1590	2010
36	1070	1400	1770
40	970		

DIMENSIONS

Dimensions not to be used for construction unless certified. [All dimensions in inches]

ARRANGEMENT
1, 3,
3T, 3R,
3L

Sizes 12, 13, and 15 are Arrangement 1 design with both bearings mounted on the drive side.

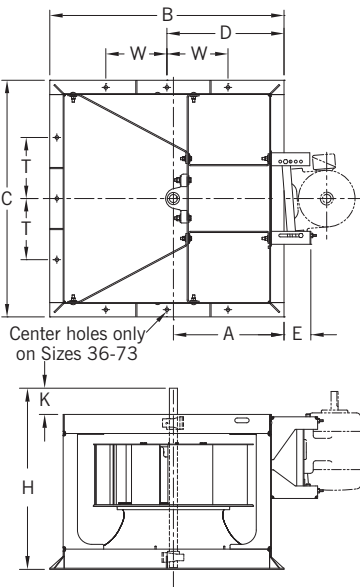


DIMENSIONS [INCHES]

Size	A	B	C	H		K		O	P	R	T	Base holes
				Class 1, 2	Class 3	Class 1, 2	Class 3					
12	9 ¹³ / ₁₆	18	18	21 ⁵ / ₈	—	3	—	15 ¹ / ₂	5	2 ³ / ₄	7 ³ / ₄	9/ ₁₆
13	10 ¹³ / ₁₆	19 ³ / ₄	19	22 ¹ / ₈	—	3	—	16	5	3	8 ¹ / ₄	9/ ₁₆
15	12	22	21	22 ³ / ₄	—	3	—	16 ⁵ / ₈	5 ¹ / ₁₆	3 ¹ / ₄	9 ¹ / ₄	9/ ₁₆
16	13 ¹ / ₄	24 ⁵ / ₁₆	23	22 ¹ / ₄	23 ¹ / ₄	3	4	19 ¹ / ₄	6 ¹ / ₂	3 ⁵ / ₈	10	9/ ₁₆
18	14 ¹ / ₈	26	26	23 ³ / ₈	24 ³ / ₈	3	4	20 ³ / ₈	7	3 ¹ / ₁₆	11 ¹ / ₂	9/ ₁₆
20	15 ¹ / ₂	28 ⁷ / ₁₆	27	25 ¹ / ₄	26 ¹ / ₄	3 ¹ / ₂	4 ¹ / ₂	21 ³ / ₄	6 ¹ / ₂	4 ⁷ / ₈	12	9/ ₁₆
22	17 ¹ / ₄	31 ⁵ / ₁₆	30	27 ¹ / ₈	28 ¹ / ₈	4	5	23 ¹ / ₈	7	5 ¹ / ₁₆	13 ¹ / ₂	9/ ₁₆
24	19	34 ³ / ₄	33	30 ¹ / ₈	30 ⁵ / ₈	4 ¹ / ₂	5	25 ⁵ / ₈	6 ³ / ₄	6 ⁹ / ₁₆	15	3/ ₄
27	20 ³ / ₄	37 ³ / ₄	36	32 ¹ / ₄	32 ¹ / ₄	5	5	27 ¹ / ₄	7 ³ / ₄	6 ³ / ₈	16 ¹ / ₂	3/ ₄
30	21 ¹ / ₄	40	40	35 ¹ / ₄	34 ³ / ₄	5 ¹ / ₂	5	29 ³ / ₄	7 ¹ / ₂	7 ³ / ₈	18 ¹ / ₂	3/ ₄
33	23 ¹ / ₄	43 ¹ / ₂	44	37 ³ / ₄	38 ¹ / ₄	5 ¹ / ₂	6	32 ¹ / ₄	8 ¹ / ₂	7 ⁵ / ₈	20 ¹ / ₂	3/ ₄
36	25 ⁷ / ₁₆	48	48	43 ¹ / ₈	42 ⁵ / ₈	6 ¹ / ₂	6	36 ⁵ / ₈	9 ¹ / ₂	8 ¹³ / ₁₆	21 ¹ / ₂	7/ ₈
40	27 ³ / ₄	52	52	46 ¹ / ₄	46 ¹ / ₄	7	7	39 ¹ / ₄	10 ¹ / ₂	9 ¹ / ₈	23 ¹ / ₂	7/ ₈
44	30 ¹¹ / ₁₆	57 ¹¹ / ₁₆	58 ¹ / ₈	49 ³ / ₄	49 ¹ / ₄	7 ¹ / ₂	7	42 ¹ / ₄	10 ¹ / ₂	10 ⁵ / ₈	27 ¹ / ₄	7/ ₈
49	34	63 ⁵ / ₈	62	54 ³ / ₈	54 ³ / ₈	8	8	46 ³ / ₈	10 ⁷ / ₁₆	12 ³ / ₄	28 ¹ / ₂	7/ ₈
54	37 ¹ / ₂	69 ³ / ₄	68	58 ¹ / ₄	58 ¹ / ₄	8 ¹ / ₂	8 ¹ / ₂	49 ³ / ₄	10	14 ⁷ / ₈	31 ¹ / ₂	1
60	41 ³ / ₈	77	75	63 ¹ / ₄	62 ³ / ₄	9	8 ¹ / ₂	54 ¹ / ₄	10	17 ¹ / ₈	35 ¹ / ₂	1
66	45 ¹ / ₂	84 ⁵ / ₈	81	67 ³ / ₄	68 ¹ / ₄	9 ¹ / ₂	10	58 ¹ / ₄	11	18 ³ / ₈	38 ¹ / ₂	1
73	50 ³ / ₈	93 ¹ / ₂	91	75 ³ / ₈	75 ³ / ₈	10	10	65 ³ / ₈	12 ¹ / ₁₆	20 ⁵ / ₈	43	1

Arrangement 1 available in Sizes 12, 13 and 15. Arrangement 3T available in Sizes 16 to 49. Arrangements 3R and 3L available in sizes 16 to 40.

ARRANGEMENT
3V



DIMENSIONS [INCHES]

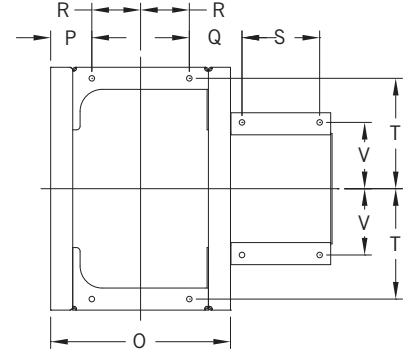
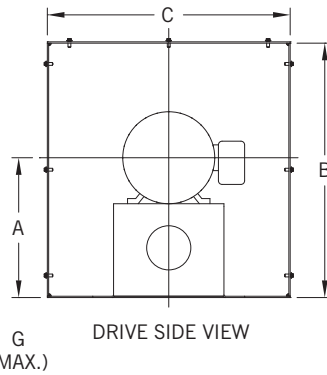
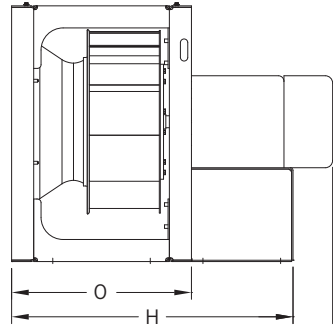
Size	A	B	C	D	E	H	K	T	W	Base holes
16	16 ¹ / ₁₆	29 ¹⁵ / ₁₆	28 ⁵ / ₈	15	6 ⁷ / ₈	22 ¹ / ₂	3	8 ⁵ / ₁₆	8 ¹ / ₂	9/ ₁₆
18	16 ¹⁵ / ₁₆	31 ³ / ₈	31 ⁵ / ₈	15 ¹³ / ₁₆	6 ⁷ / ₈	23 ³ / ₈	3	7 ¹³ / ₁₆	7 ¹³ / ₁₆	9/ ₁₆
20	18 ⁹ / ₁₆	34 ¹ / ₁₆	32 ⁵ / ₈	17	6 ⁷ / ₈	25 ¹ / ₂	3 ¹ / ₂	8 ⁵ / ₁₆	8 ⁷ / ₁₆	9/ ₁₆
22	20 ¹ / ₁₆	36 ¹⁵ / ₁₆	35 ⁵ / ₈	18 ¹ / ₂	6 ⁷ / ₈	27 ³ / ₈	4	9 ¹³ / ₁₆	9 ¹³ / ₁₆	9/ ₁₆
24	21 ¹³ / ₁₆	40 ³ / ₈	38 ⁵ / ₈	20 ³ / ₁₆	6 ⁷ / ₈	30 ³ / ₈	4 ¹ / ₂	9 ⁵ / ₁₆	9 ⁵ / ₁₆	3/ ₄
27	23 ⁹ / ₁₆	43 ⁷ / ₁₆	41 ⁵ / ₈	21 ³ / ₄	6 ⁷ / ₈	32 ¹ / ₂	5	10 ¹³ / ₁₆	10 ¹³ / ₁₆	3/ ₄
30	24 ¹ / ₁₆	45 ⁵ / ₈	45 ⁵ / ₈	22 ¹³ / ₁₆	6 ⁷ / ₈	35 ¹ / ₂	5 ¹ / ₂	10 ¹³ / ₁₆	10 ¹³ / ₁₆	3/ ₄
33	26 ¹ / ₁₆	49 ¹ / ₄	49 ⁵ / ₈	24 ⁵ / ₈	6 ⁷ / ₈	38 ¹ / ₂	6	12 ¹³ / ₁₆	12 ¹³ / ₁₆	3/ ₄
36	28 ¹ / ₄	53 ⁵ / ₈	53 ⁵ / ₈	26 ¹³ / ₁₆	6 ⁷ / ₈	43 ³ / ₈	6 ¹ / ₂	17 ¹³ / ₁₆	17 ¹³ / ₁₆	7/ ₈
40	30 ⁹ / ₁₆	57 ⁵ / ₈	57 ⁵ / ₈	28 ¹³ / ₁₆	6 ⁷ / ₈	46 ¹ / ₂	7	17 ¹³ / ₁₆	17 ¹³ / ₁₆	7/ ₈
44	33 ¹⁵ / ₁₆	64 ³ / ₁₆	64 ⁵ / ₈	32 ¹ / ₁₆	7	49 ³ / ₄	7 ¹ / ₂	18 ¹³ / ₁₆	18 ⁷ / ₈	7/ ₈
49	37 ¹ / ₄	70	68 ¹ / ₂	35	7	54 ³ / ₈	8	20 ³ / ₄	20 ⁷ / ₈	7/ ₈
54	40 ³ / ₄	76 ¹ / ₄	74 ¹ / ₂	38 ¹ / ₈	7	58 ¹ / ₄	8 ¹ / ₂	21 ³ / ₄	21 ⁷ / ₈	1
60	44 ⁵ / ₈	83 ¹ / ₂	81 ¹ / ₂	41 ³ / ₄	7	63 ¹ / ₄	9	25 ¹ / ₄	25 ³ / ₈	1
66	48 ³ / ₄	91 ¹ / ₈	87 ¹ / ₂	45 ⁹ / ₁₆	7	67 ³ / ₄	9 ¹ / ₂	26 ¹ / ₄	26 ¹ / ₂	1
73	53 ⁵ / ₈	100	97 ¹ / ₂	50	6 ¹ / ₂	75 ³ / ₈	10	31 ¹ / ₄	32	1

The New York Blower Company has a policy of continual product improvement and reserves the right to change designs and specifications without notice.

DIMENSIONS

Dimensions not to be used for construction unless certified. [All dimensions in inches]

ARRANGEMENT 4



DIMENSIONS [INCHES]

Size	A	B	C	O	P	R	Base holes
12	9 ¹³ / ₁₆	18	18	15 ¹ / ₄	5	2 ⁵ / ₈	9 ¹ / ₁₆
13	10 ¹³ / ₁₆	19 ³ / ₄	19	15 ¹³ / ₁₆	5 ³ / ₁₆	2 ³ / ₄	9 ¹ / ₁₆
15	12	22	21	16 ⁹ / ₁₆	5 ¹ / ₄	3	9 ¹ / ₁₆
16	13 ¹ / ₄	24 ⁵ / ₁₆	23	18 ⁷ / ₁₆	5 ⁵ / ₈	3 ⁵ / ₈	9 ¹ / ₁₆
18	14 ¹ / ₈	26	26	19 ³ / ₈	6	3 ¹¹ / ₁₆	9 ¹ / ₁₆
20	15 ¹ / ₂	28 ⁷ / ₁₆	27	20 ¹³ / ₁₆	5 ⁵ / ₈	4 ¹³ / ₁₆	9 ¹ / ₁₆
22	17 ¹ / ₄	31 ⁵ / ₁₆	30	22 ⁵ / ₁₆	6 ¹ / ₈	5 ¹ / ₁₆	9 ¹ / ₁₆
24	19	34 ³ / ₄	33	24 ⁷ / ₁₆	5 ³ / ₄	6 ¹ / ₂	3 ⁴ / ₄
27	20 ³ / ₄	37 ³ / ₄	36	26 ¹ / ₄	6 ¹³ / ₁₆	6 ⁵ / ₁₆	3 ⁴ / ₄
30	21 ¹ / ₄	40	40	30 ¹ / ₂	7 ¹ / ₂	7 ³ / ₄	3 ⁴ / ₄
33	23 ¹ / ₄	43 ¹ / ₂	44	33 ¹ / ₈	8 ⁹ / ₁₆	8	3 ⁴ / ₄
36	25 ⁷ / ₁₆	48	48	37	10 ¹ / ₂	8	7 ⁸ / ₈
40	27 ³ / ₄	52	52	39 ¹ / ₈	10 ¹ / ₂	9 ¹ / ₁₆	7 ⁸ / ₈
44	30 ¹¹ / ₁₆	57 ¹¹ / ₁₆	58 ¹ / ₈	42 ¹ / ₄	10 ⁷ / ₈	10 ¹ / ₄	7 ⁸ / ₈
49	34	63 ⁵ / ₈	62	45 ¹ / ₂	11	11 ³ / ₄	7 ⁸ / ₈
54	37 ¹ / ₂	69 ³ / ₄	68	49	11 ¹ / ₂	13	1
60	41 ³ / ₈	77	75	53 ³ / ₈	12 ³ / ₁₆	14 ¹ / ₂	1

OPTIONAL INLET COLLAR DIMENSIONS

Size	L (OD)	Q	U
12	13 ¹ / ₂	2 ¹ / ₄	1 ¹ / ₄
13	14 ⁷ / ₈	2 ¹ / ₄	1 ¹ / ₄
15	16 ¹ / ₂	3 ¹ / ₄	1 ¹ / ₄
16	19	4 ¹ / ₄	1 ¹ / ₄
18	20 ³ / ₄	4 ¹ / ₄	1 ¹ / ₄
20	22 ¹ / ₂	4 ¹ / ₄	1 ¹ / ₄
22	25 ¹ / ₈	4 ¹ / ₄	1 ¹ / ₄
24	27 ⁵ / ₈	4 ¹ / ₄	1 ¹ / ₄
27	30 ¹ / ₄	4 ¹ / ₄	1 ¹ / ₄
30	33 ⁵ / ₈	4 ⁷ / ₈	7 ⁸ / ₈
33	36 ⁷ / ₈	4 ⁷ / ₈	7 ⁸ / ₈
36	41	5 ⁷ / ₈	7 ⁸ / ₈
40	44 ³ / ₄	6 ⁷ / ₈	1 ⁷ / ₈
44	49 ³ / ₄	6 ⁷ / ₈	1 ⁷ / ₈
49	54 ³ / ₄	6 ⁷ / ₈	1 ⁷ / ₈
54	60 ¹ / ₄	7	2
60	67	7	2
66	73 ¹ / ₂	7	2*
73	81 ¹ / ₂	9	4*

* Class 3 U Dimension: Size 66 = 1", Size 73 = 3"

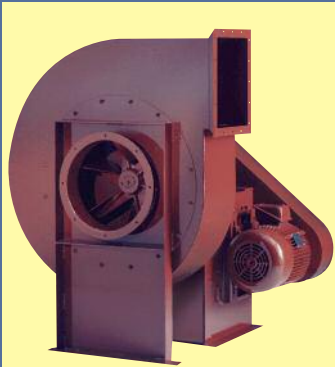
DIMENSIONS [INCHES]

Size	Motor frame	G	H	Q	S	T	V
12	56	1 ³ / ₈	20 ¹⁵ / ₁₆	6 ⁵ / ₁₆	3		7
	143/145	2 ⁵ / ₈	22 ¹ / ₄	6 ⁹ / ₁₆	4 ¹ / ₄	7 ³ / ₄	7
	182/184	2	23 ³ / ₈	6 ⁵ / ₁₆	5 ³ / ₈		7
13	143/145	2 ⁵ / ₈	22 ¹³ / ₁₆	6 ³ / ₈	4 ¹ / ₄		7
	182/184	2	23 ¹⁵ / ₁₆	6 ³ / ₈	5 ³ / ₈	8 ¹ / ₄	7
	213/215	3 ⁷ / ₈	27 ³ / ₁₆	6 ⁷ / ₈	7 ³ / ₈		7
15	143/145	2 ⁵ / ₈	23 ⁹ / ₁₆	6 ⁹ / ₁₆	4 ¹ / ₄		7
	182/184	2	24 ¹¹ / ₁₆	6 ⁹ / ₁₆	5 ³ / ₈	9 ¹ / ₄	7
	213/215	3 ⁷ / ₈	27 ³ / ₁₆	6 ⁷ / ₈	7 ³ / ₈		9
16	182/184	2	26 ⁹ / ₁₆	7 ¹ / ₄	4 ⁷ / ₈		9 ⁷ / ₈
	213/215	3 ⁷ / ₈	29 ¹ / ₁₆	7 ¹ / ₄	7 ³ / ₈	10	9 ⁷ / ₈
	254/256	4 ³ / ₄	32 ⁷ / ₈	7 ³ / ₁₆	11 ¹ / ₄		9 ⁷ / ₈
18	182/184	2	27 ¹ / ₂	7 ⁹ / ₁₆	4 ⁷ / ₈		9
	213/215	3 ⁷ / ₈	30	7 ⁹ / ₁₆	7 ³ / ₈	11 ¹ / ₂	9
	254/256	4 ³ / ₄	33 ¹³ / ₁₆	7 ⁹ / ₁₆	11 ¹ / ₄		9
20	143/145	2 ¹ / ₂	27 ¹⁵ / ₁₆	7 ¹ / ₄	3 ⁷ / ₈		9 ¹ / ₂
	182/184	2	28 ¹⁵ / ₁₆	7 ¹ / ₄	4 ⁷ / ₈	12	9 ¹ / ₂
	213/215	3 ⁷ / ₈	31 ⁷ / ₁₆	7 ³ / ₁₆	7 ³ / ₈		9 ¹ / ₂
	254/256	4 ³ / ₄	35 ¹ / ₄	7 ³ / ₁₆	11 ¹ / ₄		9 ¹ / ₂
22	143/145	2 ¹ / ₂	29 ⁷ / ₁₆	7 ¹¹ / ₁₆	3 ⁷ / ₈		9
	182/184	2	30 ⁷ / ₁₆	7 ¹¹ / ₁₆	4 ⁷ / ₈		9
	213/215	3 ⁷ / ₈	32 ¹⁵ / ₁₆	7 ¹¹ / ₁₆	7 ³ / ₈	13 ¹ / ₂	9
	254/256	4 ³ / ₄	36 ³ / ₄	7 ¹¹ / ₁₆	11 ¹ / ₄		9
284/286TS	6 ¹ / ₂	37 ⁵ / ₈	7 ³ / ₄	12		9	
24	182/184	2	32 ⁹ / ₁₆	7 ⁵ / ₁₆	4 ⁷ / ₈		9
	213/215	3 ⁷ / ₈	35 ¹ / ₁₆	7 ⁵ / ₁₆	7 ³ / ₈	15	9
	254/256	4 ³ / ₄	38 ⁷ / ₈	7 ⁵ / ₁₆	11 ¹ / ₄		9

Size	Motor frame	G	H	Q	S	T	V
27	182/184	2	34 ³ / ₈	8 ³ / ₈	4 ⁷ / ₈		9
	213/215	3 ⁷ / ₈	36 ⁷ / ₈	8 ³ / ₈	7 ³ / ₈	16 ¹ / ₂	9
	254/256	4 ³ / ₄	40 ¹¹ / ₁₆	8 ³ / ₈	11 ¹ / ₄		9
30	213/215	3 ⁷ / ₈	40 ¹ / ₈	9	6 ³ / ₈		9
	254/256	4 ³ / ₄	43 ¹⁵ / ₁₆	9	10 ¹ / ₄	18 ¹ / ₂	9
	284/286T	5 ¹ / ₂	45 ¹³ / ₁₆	9 ¹ / ₁₆	12		9
33	254/256	4 ³ / ₄	46 ⁹ / ₁₆	10 ¹ / ₈	10 ⁹ / ₁₆		11 ¹ / ₂
	284/286	5 ¹ / ₂	48 ⁷ / ₁₆	10 ¹ / ₈	12	20 ¹ / ₂	11 ¹ / ₂
	324/326	6 ⁵ / ₈	49 ¹⁵ / ₁₆	10 ¹ / ₈	13 ¹ / ₂		11 ¹ / ₂
36	284/286	5 ¹ / ₂	51 ³ / ₈	12 ¹ / ₈	11		11 ¹ / ₂
	324/326	6 ⁵ / ₈	52 ¹⁵ / ₁₆	12 ¹ / ₈	12 ⁵ / ₈		11 ¹ / ₂
	364/365	7 ⁷ / ₈	53 ³ / ₈	12 ¹ / ₈	13	21 ¹ / ₂	11 ¹ / ₂
	404/405	4 ¹ / ₂	56	10 ¹ / ₂	15 ¹ / ₈		11 ¹ / ₄
40	324/326	6 ⁵ / ₈	55 ¹ / ₁₆	12 ¹ / ₁₆	12 ⁵ / ₈		11 ¹ / ₂
	364/365	7 ⁷ / ₈	55 ¹ / ₂	12 ¹ / ₈	13	23 ¹ / ₂	11 ¹ / ₂
	404/405	4 ¹ / ₂	58 ¹ / ₈	10 ¹ / ₂	15 ¹ / ₂		11 ¹ / ₄
44	324 - 405	4 ¹ / ₂	61 ¹ / ₄	10 ⁷ / ₈	16	27 ¹ / ₄	11 ¹ / ₄
49	324 - 445	4 ¹ / ₂	72 ³ / ₈	11	21 ³ / ₄	28 ¹ / ₂	14 ¹ / ₂
54	324 - 445	4 ¹ / ₂	75 ⁷ / ₈	11 ¹ / ₂	22 ¹ / ₂	31 ¹ / ₂	14 ¹ / ₂
	447/449	6 ¹ / ₂	84 ¹ / ₄	11 ¹ / ₂	28 ⁵ / ₈		14 ¹ / ₂
60	404 - 445	4 ¹ / ₂	80 ¹ / ₄	12 ³ / ₁₆	23	35 ¹ / ₂	14 ¹ / ₂
	447/449	6 ¹ / ₂	88 ⁵ / ₈	12 ³ / ₁₆	29 ⁵ / ₈		14 ¹ / ₂

COMPLETE SELECTION OF AIR-MOVING EQUIPMENT

The New York Blower Company offers thousands of different types, models, and sizes of air-moving equipment. Contact your nyb representative for assistance in identifying the best fan for your application.



DUST/MATERIAL HANDLING

Wide range of duty available with unique fan lines capable of handling light dust to heavy material. Typical applications include dust-collection and high-pressure process along with material-conveying.



AIR-HANDLING [CENTRIFUGAL]

Designed for clean to moderately dirty gas streams. Commercial and industrial HVAC, process cooling, light material-conveying, heat removal, and dryer exhaust are just a few of the numerous sample applications



AIR-HANDLING [AXIAL]

For the ideal handling of clean to moderately dirty airstreams. Commercial and industrial HVAC, drying and cooling systems, fume extraction, and process-heat removal are typical applications.

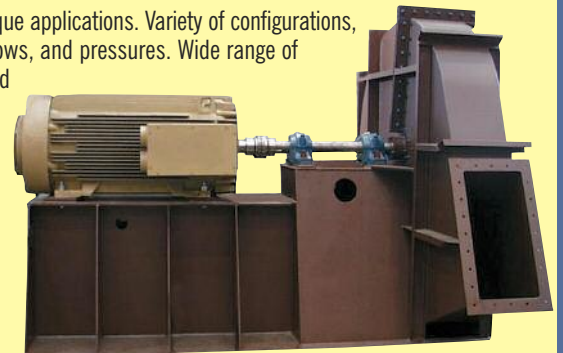


FIBERGLASS REINFORCED PLASTIC [FRP]

Choice of performance and duty for corrosive gas streams. Applications include chemical process, wastewater treatment, laboratory hood exhaust, and tank aeration.

CUSTOM PRODUCTS

Designed for unique applications. Variety of configurations, temperatures, flows, and pressures. Wide range of modifications and accessories are available to meet the most demanding specifications.



Leading the industry forward since 1889



ROOF VENTILATORS

Including both hooded and upblast ventilators, propeller fans, and centrifugal roof exhausters. These units are ideal for industrial, commercial, and institutional applications.



HEATING PRODUCTS

Industrial-duty steam unit heaters with steam heating coils are available for facility heating and process-heat transfer.



PROCESS/FAN COMPONENTS

Plug fans, plenum fans, wheels, inlet cones, and housings for a wide variety of OEM applications. Process/fan components are used in air-handling units, ovens, dryers, freezer tunnels, and filtration systems.